



CONTEMPORARY DESIGN

WINDOWS AND PATIO DOORS

LINCOLN
WINDOWS





Contemporary Product

Custom builders implement and accomplish the detailed yet uncluttered architectural design aesthetics with contemporary style Lincoln products.

Combine this with our successful dealer networks' understanding of a clients appreciation for both cosmetic appeal and performance from Lincoln's responsive product line up. The result. Enhanced user experiences based on the premise to consult, design and achieve your dream look with chic contemporary luxury.

These modern fenestration products visually announce 'curb appeal' to your neighborhood all while efficiently performing. Lincoln glazing technology repels exterior influences while your family experiences an incredibly comfortable interior climate.

- Intelligent 366/Neat glass controls heat gain with lower maintenance
- Preserve Protective Film covering large expanses of glass during construction
- Proven Endur IG spacer system backed with a 20-year factory warranty





Square Glazing Bead & SDL Bars

- Clean modern interior design aesthetic
- Similar appearance to aluminum or steel windows
- Simulated Divided Lights in $\frac{5}{8}$ ", $\frac{7}{8}$ " or $1\frac{1}{8}$ "
- Virtually limitless grille configurations
- Putty sloped wet-glazed exterior



Square Stop - Direct Set

- Reduces traditional 'step down' wood stops
- $\frac{5}{8}$ " tall stop for clear sightline to exterior
- Visible with casing applied to frame
- Popular choice when mulling operating units
- Complimentary square exterior cladding profile



Full Stop - Direct Set

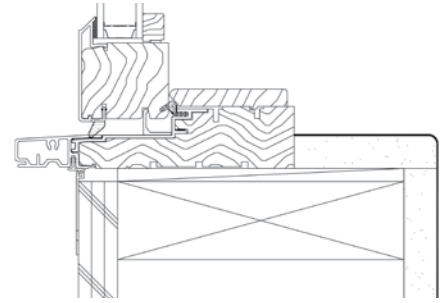
- Creates crisp 'disappearing glass' appearance
- Available for $4\frac{1}{8}$ " jamb products
- Casing application can cover frame with minimal reveal
- Flat shelf appearance similar to store front products
- Complimentary square exterior cladding profile



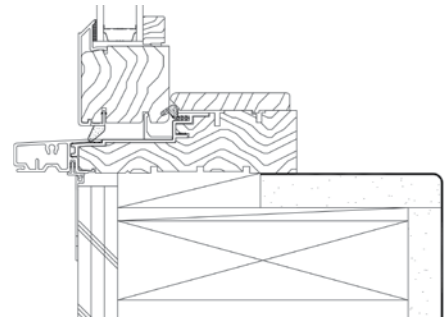


WINDOW STYLES

Create intuitive designs with a crank-out or push-out style casement or awning windows. Casement windows are easy to operate in massive sizes lending themselves to today's popular contemporary architecture. How big? Think 42" wide and 96" tall establishing a spectacular viewing area through the glass.



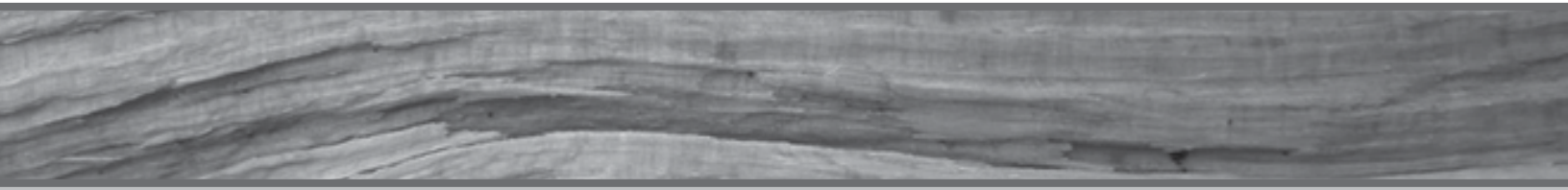
4 1/8" CSMT w/ Drywall Return



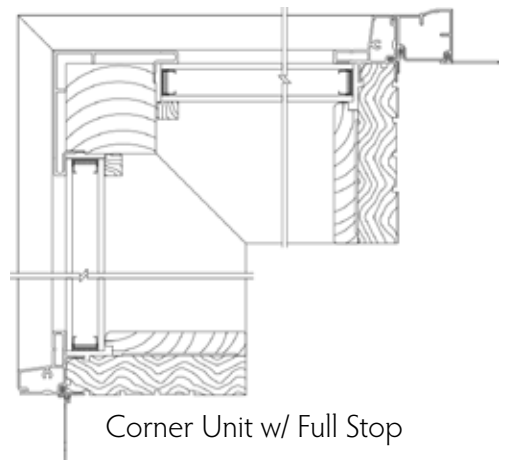
Behind the Jamb Drywall Return

Casement & Awning

- Large operating and stationary sizes
- Beautiful hardware finishes
- Retractable screens with concealed tracks and housing
- High performance grade (PG) ratings



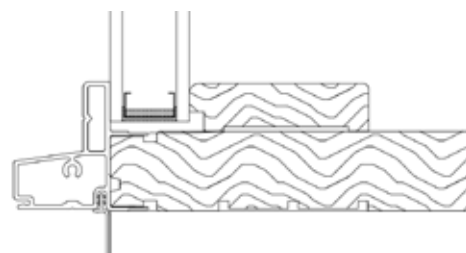
Designers opting for minimal framing intrusion enjoy the Lincoln corner window experience as our intersecting corner measures an ultra-lean 3 1/8". Specifying a full stop will create a 'disappearing glass' appearance perfect for a minimalistic approach to interior design.



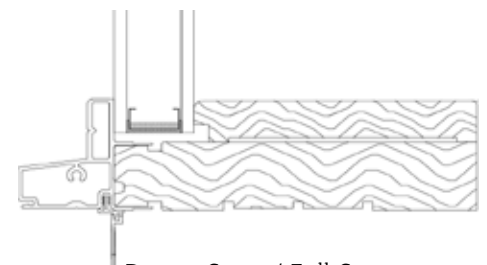
Corner Unit w/ Full Stop

Direct Sets & Corner Windows

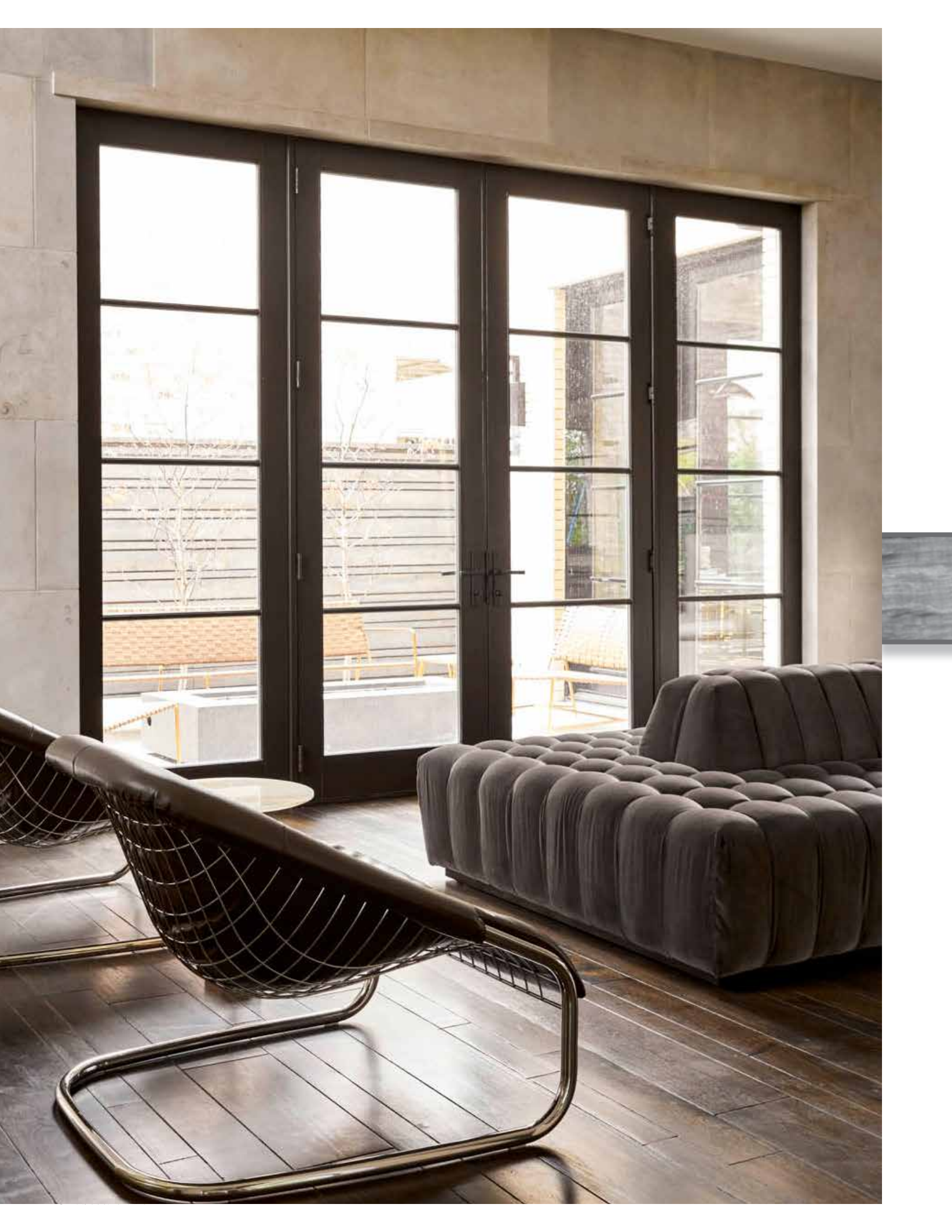
- Narrow yet strong framing with maximum glass area
- Three clean interior glazing stop solutions
- Complete geometric and radius shape selection
- Factory assembled 90° corner window



Direct Set w/ Square Stop



Direct Set w/ Full Stop



PATIO DOORS SYSTEMS

Created specifically for the increased visible glass, narrow stile doors are the definition of 'contemporary'. We'll call it 'interior light maximization', especially on doors reaching 10 feet skyward! Swing doors are both attractive and superbly functional.

Swing Patio Doors

- Stile width options $3\frac{3}{8}$ " , $4\frac{13}{16}$ " & 6"
- Panel thickness $1\frac{3}{4}$ " & $2\frac{1}{4}$ "
- Numerous sizing and operational configurations
- Stylish lever handles and finish colors
- Secure 3-point & 5-point locking hardware



Dallas Handle

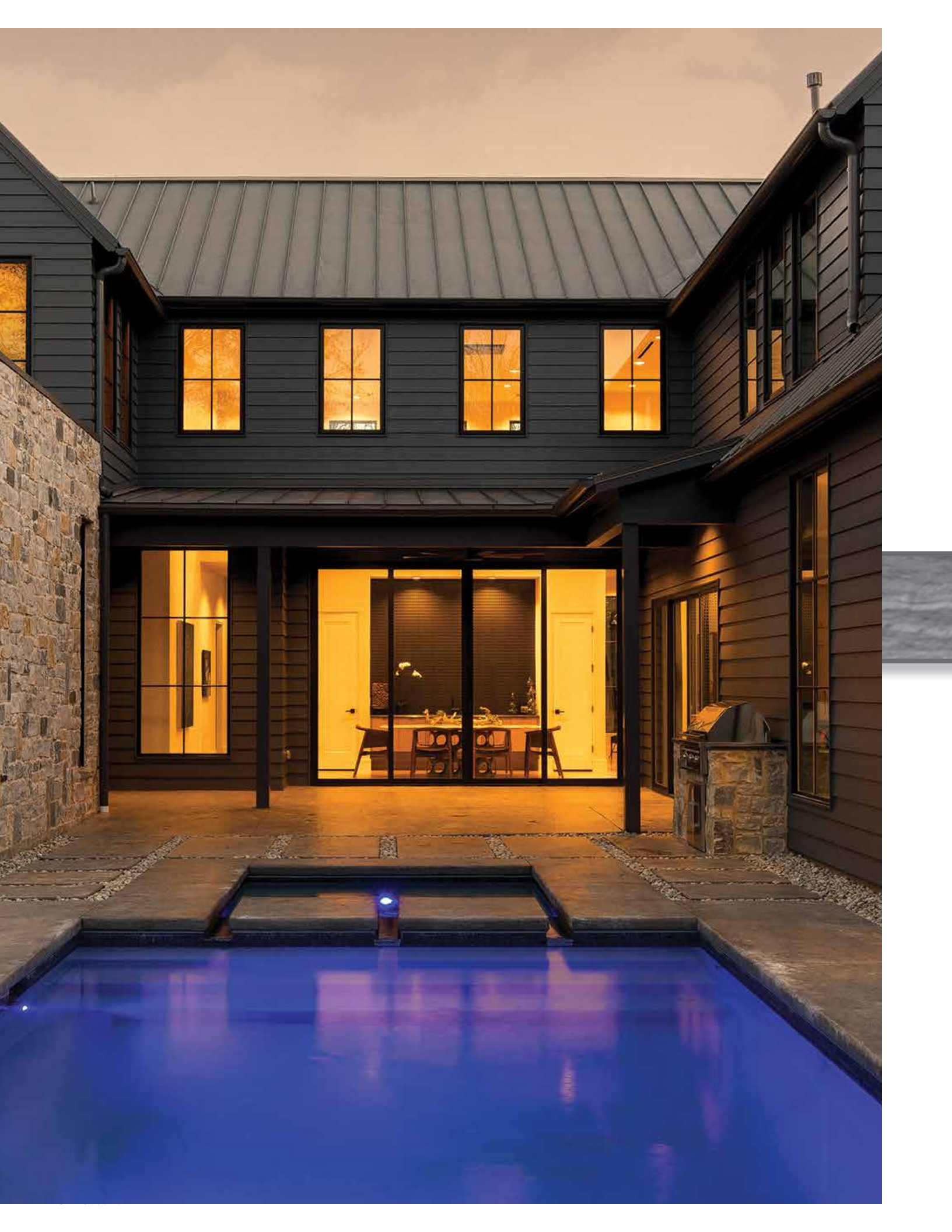
Sleek narrow slide patio door stiles never interfere with your interior décor and require less space than swinging units. Couple the purposeful appeal of operational convenience with slim sight lines all while succeeding to stay on budget. Now that's a contemporary project.

Slide Patio Doors

- Stile width options $2\frac{1}{2}$ " , $3\frac{3}{8}$ " & $4\frac{13}{16}$ ".
- Adjustable and durable tandem rollers
- Trouble-free operating panels stack neatly over stationary panels.
- Factory set-up assemblies for quality installations
- No interference inside or outside your contemporary room.



Contempo Handle



PATIO DOORS SYSTEMS

Setting the benchmark for smooth seamless transitions is easy with the bi-folding system. These incredible doors are equally user friendly for high-end residential or commercial applications striving for massive open spaces when open and holding inclement weather at bay while closed and sealed.

Fold-A-Way Patio Doors

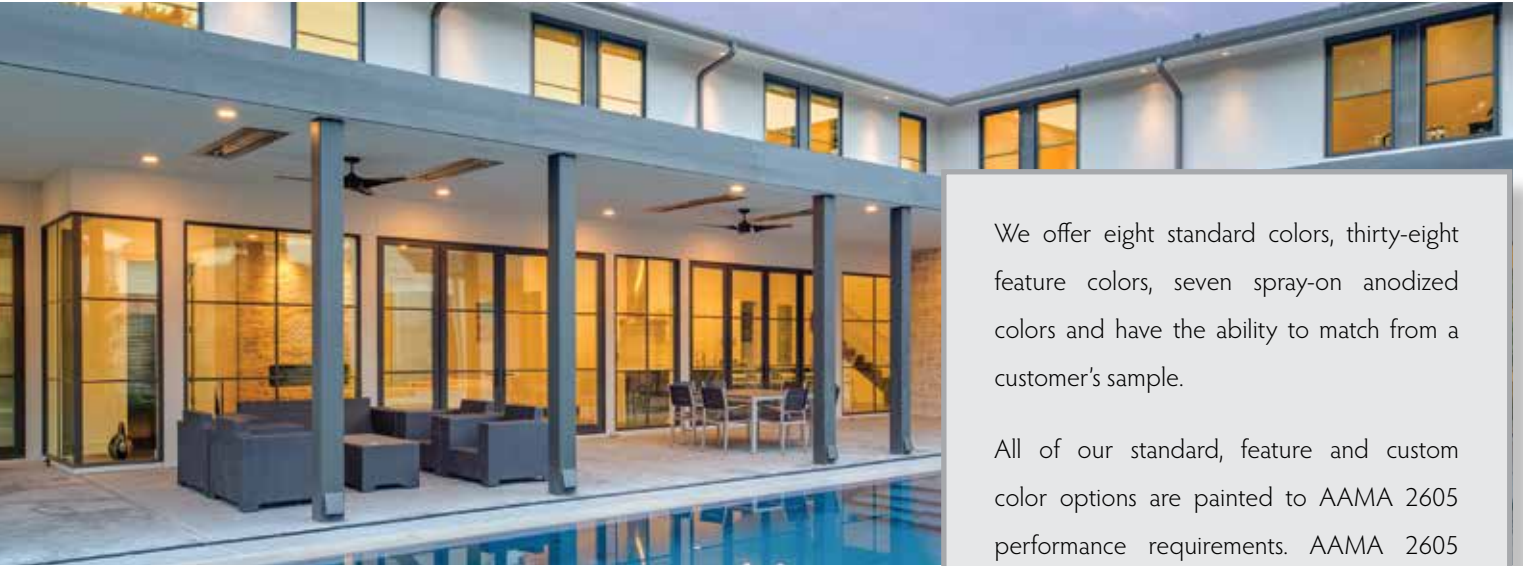
- Eight panels each direction.
- Screens and shade system available
- Stile width options 3 $\frac{3}{8}$ " & 4 $\frac{13}{16}$ "
- Conveniently fold and store outward
- Weather tight sill system or concealed floor channel

Truly expansive door openings from Lincoln await your insightful and creative design team when planning details with daylight considerations. The Lincoln Lift & Slide uses large sizing and weight for sill weathers strip compression for all-weather performance. A functional lever handle raises the operating panel for smooth sliding action.

Multi-Slide/Lift & Slide Patio Doors

- Massive 2 $\frac{1}{4}$ " thick measure up to 6' wide and 10' tall
- Contemporary handle shape and finish colors
- Stacking or pocketing systems
- Quiet and smooth polypropylene rollers
- 90° corner configurations
- Maximum 10 panels & many configurations

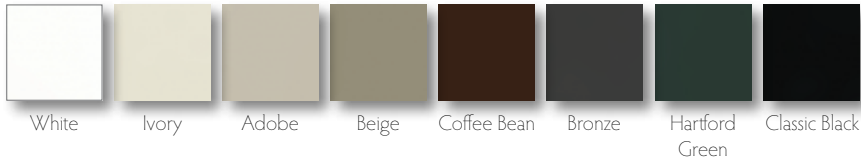
EXTERIOR COLORS



We offer eight standard colors, thirty-eight feature colors, seven spray-on anodized colors and have the ability to match from a customer's sample.

All of our standard, feature and custom color options are painted to AAMA 2605 performance requirements. AAMA 2605 high performance paint is the preferred choice of designers, architects and educated consumers. Exceptional color retention and minimal chalking are leading characteristics of this premium paint finish.

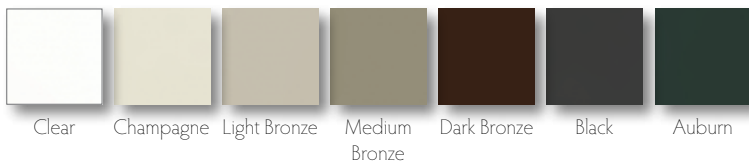
Standard Colors - AAMA 2605



Feature Colors - AAMA 2605



Spray-On Anodized Colors - AAMA 2604



Custom Colors - AAMA 2605



Color swatches are affected to some degree by the type of light in which they are viewed and the age of the swatch itself. Occasionally there may be a slight difference between the color or sheen of the chip and the actual color when applied. Colors and finishes were reproduced as accurately as printing techniques permit.













When only the best will do.

TW Perry is one of the leading building materials suppliers in the mid-Atlantic, serving the Washington, DC and Baltimore areas and outlying suburbs. We supply lumber, building materials, doors and windows, hardware, decking and railing products, paint, and power tools. We also offer a wide selection of millwork products, including more than 250 in-stock moulding profiles as well as special order products. We credit our success to establishing loyal customers who understand the added value and partnership that our services and products bring their business, as well as our enthusiastic, customer service focused employees. We are a privately held veteran-owned company; our owners work in our business everyday. Our next-day delivery of in-stock materials helps building and remodeling contractors manage their jobsite logistics and schedules



Lincoln Wood Products, Inc.
1400 W. Taylor Street • P.O. Box 375
Merrill, Wisconsin 54452-1355
800-967-2461 • Fax: 715-536-7090
www.lincolnwindows.com



Committed to protecting and preserving the environment.

Lincoln Windows is committed to environmental stewardship. As responsible corporate citizens, we are dedicated to manufacturing energy efficient products and managing our resources in a manner that reduces our impact on the environment.



Lincoln Windows is an ENERGY STAR® Partner.



Many of our products carry certification by the National Fenestration Rating Council (NFRC).



Lincoln products carry an extensive warranty. Ask your dealer for complete information.

LOCATIONS

TW Perry - Springfield, VA

7740 Southern Dr. Springfield, VA 22150

TW Perry - Gaithersburg, MD

8101 Snouffer School Road, Gaithersburg, MD 20879

TW Perry - Baltimore, MD

4321 Fitch Avenue, Baltimore, MD 21236

TW Perry - Hyattsville, MD

3200 Kenilworth Ave, Hyattsville, MD 20781

TW Perry - Leesburg, VA

41 Catoctin Circle SE Leesburg, VA 20175

TW Perry - Silver Spring, MD

9015 Brookville Road, Silver Spring, MD 20910

TW Perry - Annapolis Design Studio